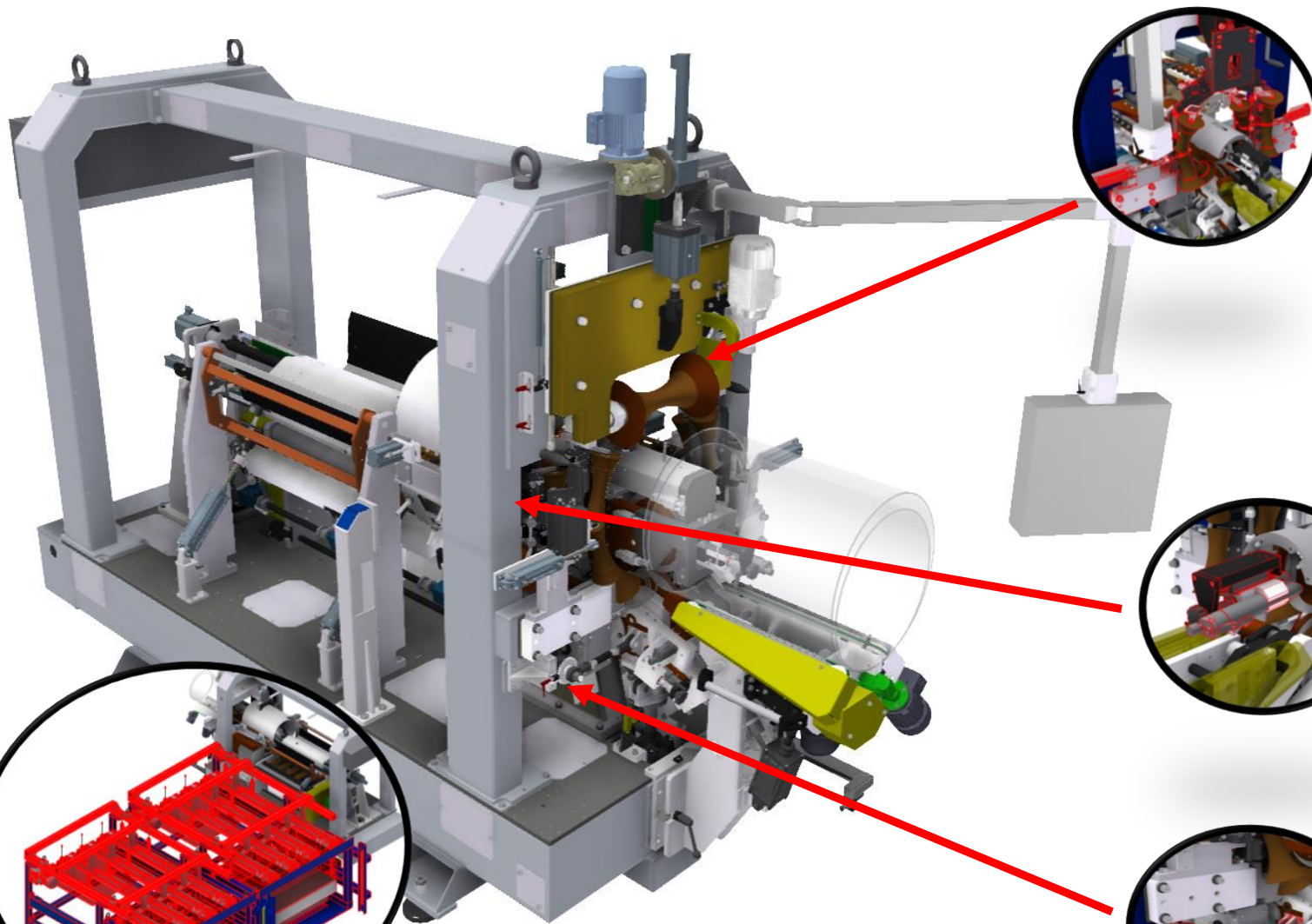




SEAM WELDERS → FOCUS ON WELDING MACHINE FOR DRUMS AND BOILERS



Multidiameter availability with automatic quick change possibility

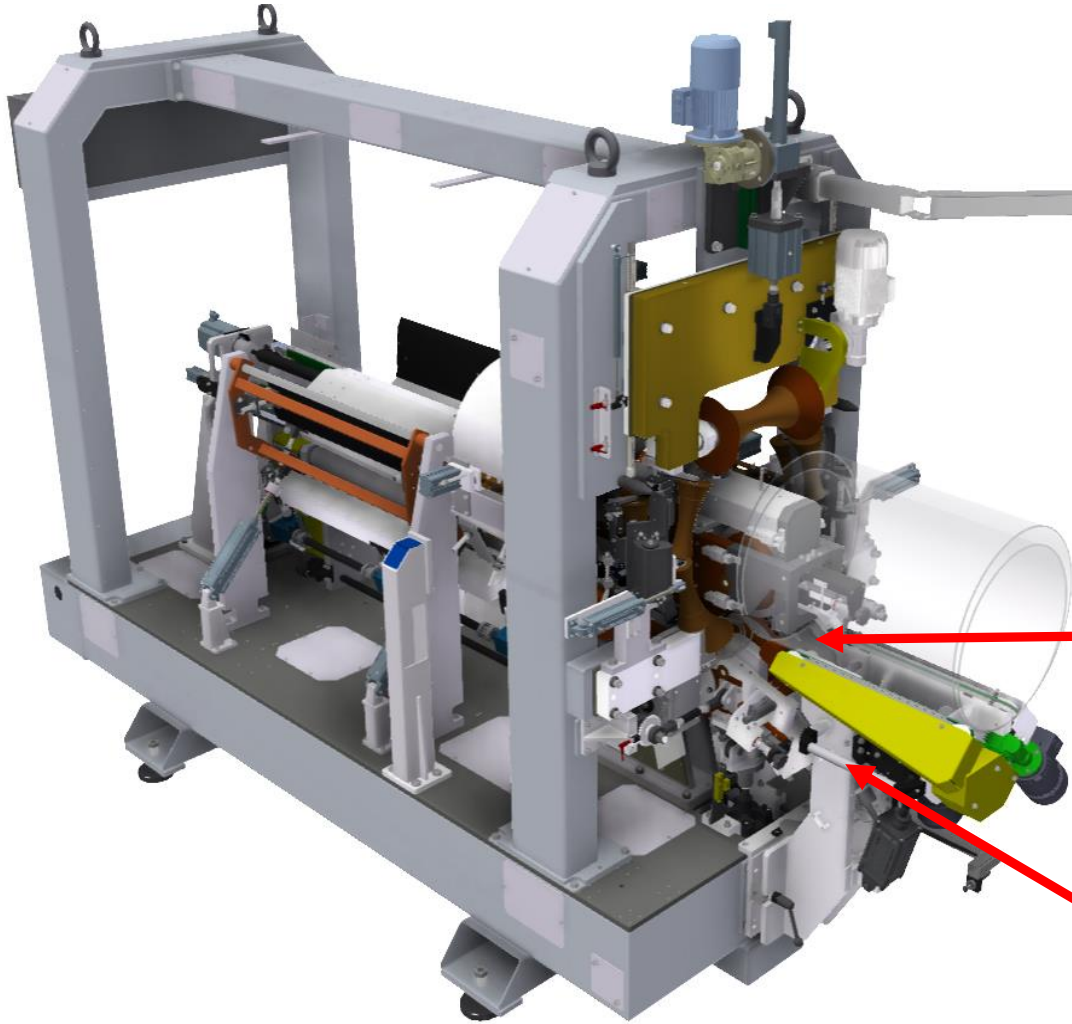
Upper and lower welding head oscillation system

System option for dressing electrodes

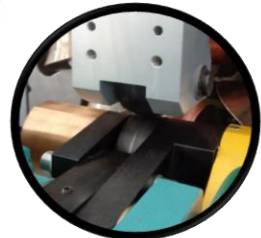
Real no-stop double sheet feeder



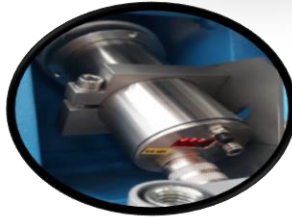
SEAM WELDERS → FOCUS ON WELDING MACHINE FOR DRUMS AND BOILERS



Control and management of all machine parameters directly from operator panel



Crushing option



IQC Pyrometer option



SEAM WELDERS → FOCUS ON WELDING MACHINE FOR DRUMS AND BOILERS



Tristatic welding inverter for energy saving, increase in machine cadence and accuracy of the welding seam



Reduced maintenance and easy mechanical accessibility



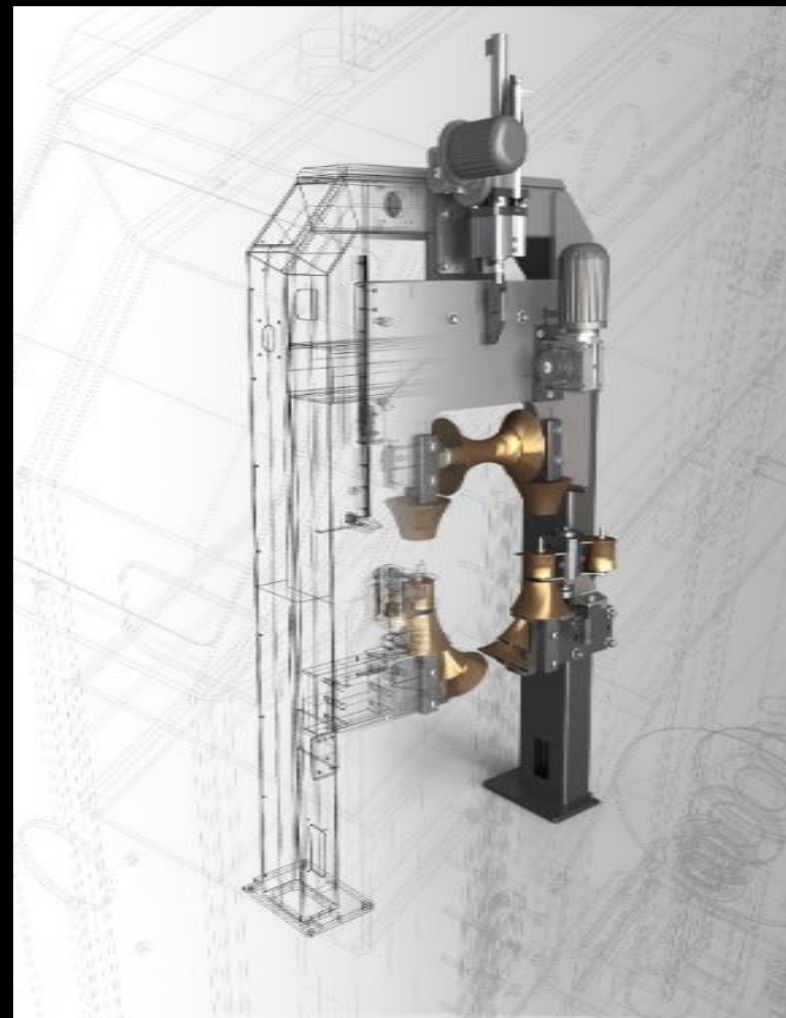
Volumes machine until 900 pz/h



Chiller option (closed loop)



Anti flash system





SEAM WELDERS → TECHNICAL DATA

* With TRISTATIC frequency converter

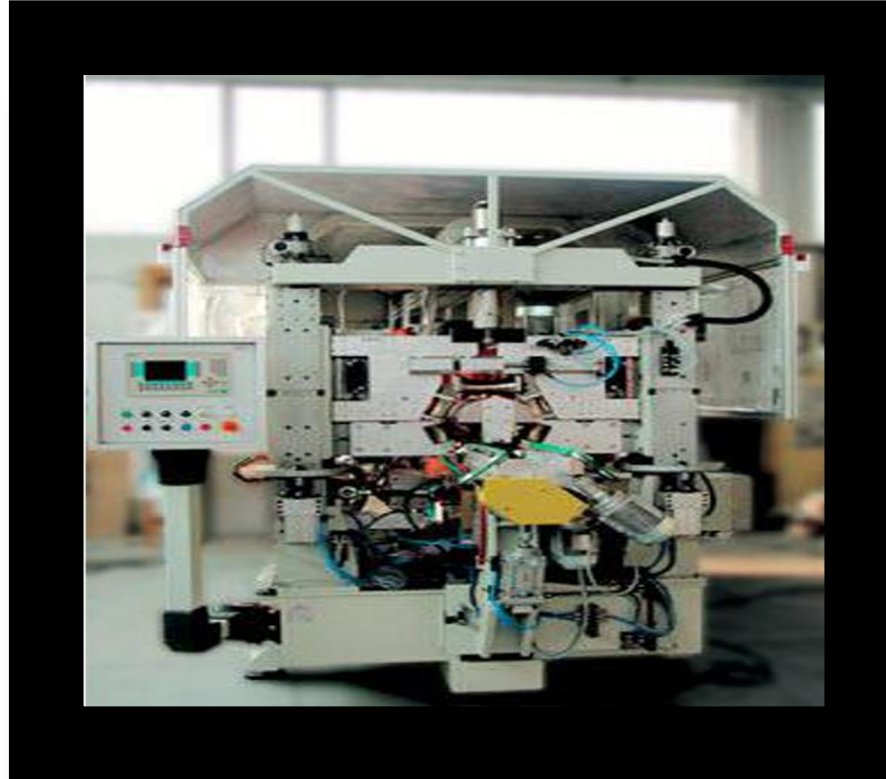
**Stainless and tinplate steel can also be welded with custom setting configurations

Technical data may change without further notice

Solution available on demand

With TRISTATIC frequency converter

TECHNICAL DATA		WELDING MACHINE TYPE		
Models		D.R.W. 300	D.R.W.. 600	D.R.W. 900
Bodies diameter	mm	min. 375 max 600	min. 450 max 600	min. 450 max 600
Bodies heights	mm	400-1100	400-1100	400-1100
Sheet thickness	mm	0.5-1.5	0.7-1.5	0.7-1.2
Overlap	mm	1.2 - 2.5	1.4 - 2.5	1.4 - 2.2
Max output race	unit/h	300	600	900
Welding speed	m/1'	6 - 12	6 - 12	9 - 18
Welding material specifications **		Clean and not oxidized black steel		
Dimension	mm	4000x1600x2800		
Welder machine weight	Kg	4500	5000	5000



The automatic water heaters welder type C.S.A.B. for the longitudinal welding of internal body of water heaters and other purpose containers is designed and manufactured by GS&T. This machine features the possibility to roll form the steel body and immediately transfer it to the integrated welding station and weld it. This special resistance welder is fitted with a robust calibration tool set with diablo rollers, suitable for the production of thick material. The open and user friendly concept design, the extremely reduced maintenance requirements are also important details which have been considered in designing the C.S.A.B.



WATER HEATER WELDER: INTERNAL TANK → TECHNICAL DATA

* Depending on steel quality and drum length

** According to ISO rules

Technical data are subject to modification without further notice

TECHNICAL DATA	C.S.A.B. 150	
Bodies diameter	mm	min. 300 max 450
Bodies height	mm	250-1250
Sheet Thickness	mm	max 1,6
Overlap	mm	max 3
Output rate*	Pcs/h	max 300
Welding speed	m/min	min 5 - max 10
New electrode rollers	mm	inside Ø 250 / outside Ø 300
Worn out electrode roller	mm	inside Ø 230 - outside Ø 260
Welding material conditions**		stainless steel clean and non oxidated
Machine dimensions	mm	4000 x 1600 x 2800 h
Machine weight	Kg	5.000